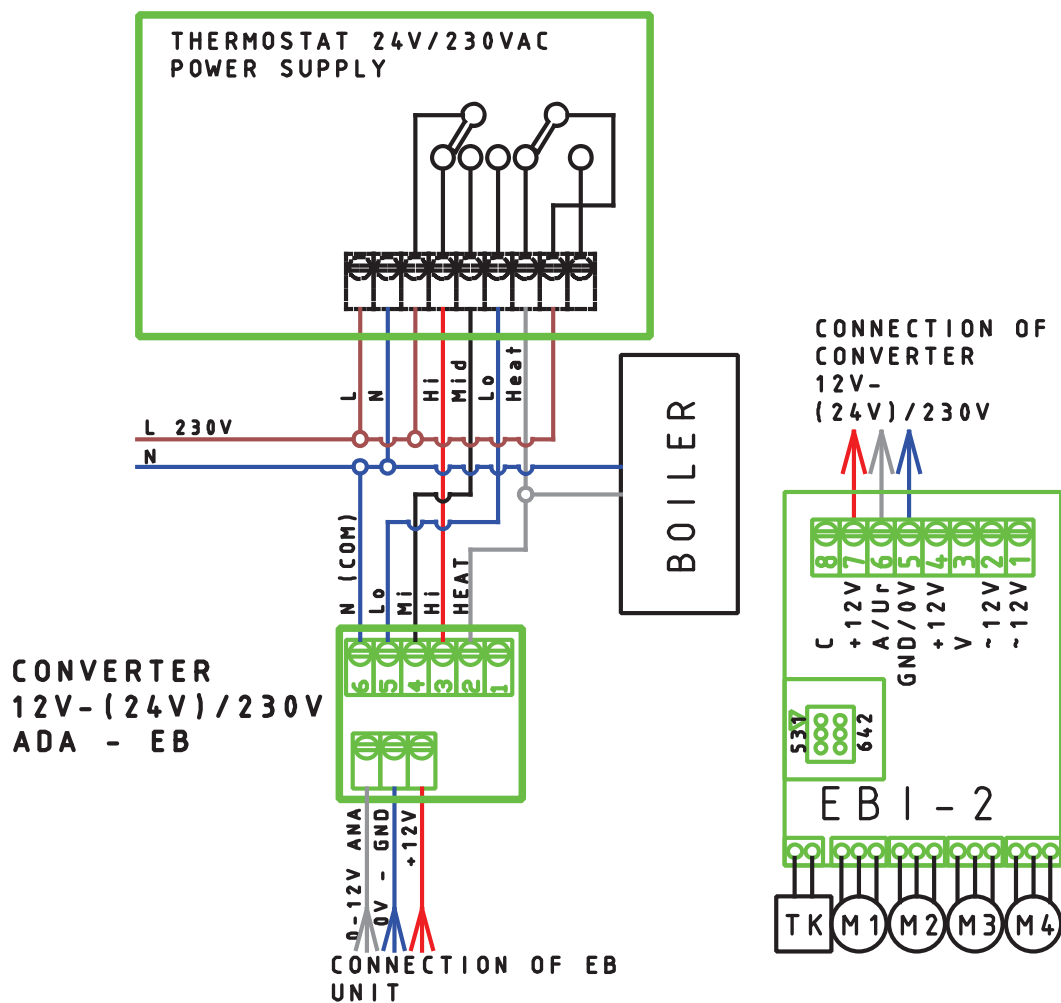


ADA-EB

for the heating mode

Connection of the fan coil units control using an ADA-EB adaptor to a non-standard thermostat with 230/24 V AC power supply and control of a boiler, if applicable.

CONTROL CONNECTION USING THE AUXILIARY ADA-EB ADAPTOR, heating



When connecting more than five convectors to one transformer it is necessary to connect the thermostat to the convector which in the branch that is closest to the transformer.

Conductor cross-sections are chosen according to current loading and the supply cable length. When using the conductor cross-sections specified in this material, the maximum acceptable distance between the convector and transformer is 15 m.