

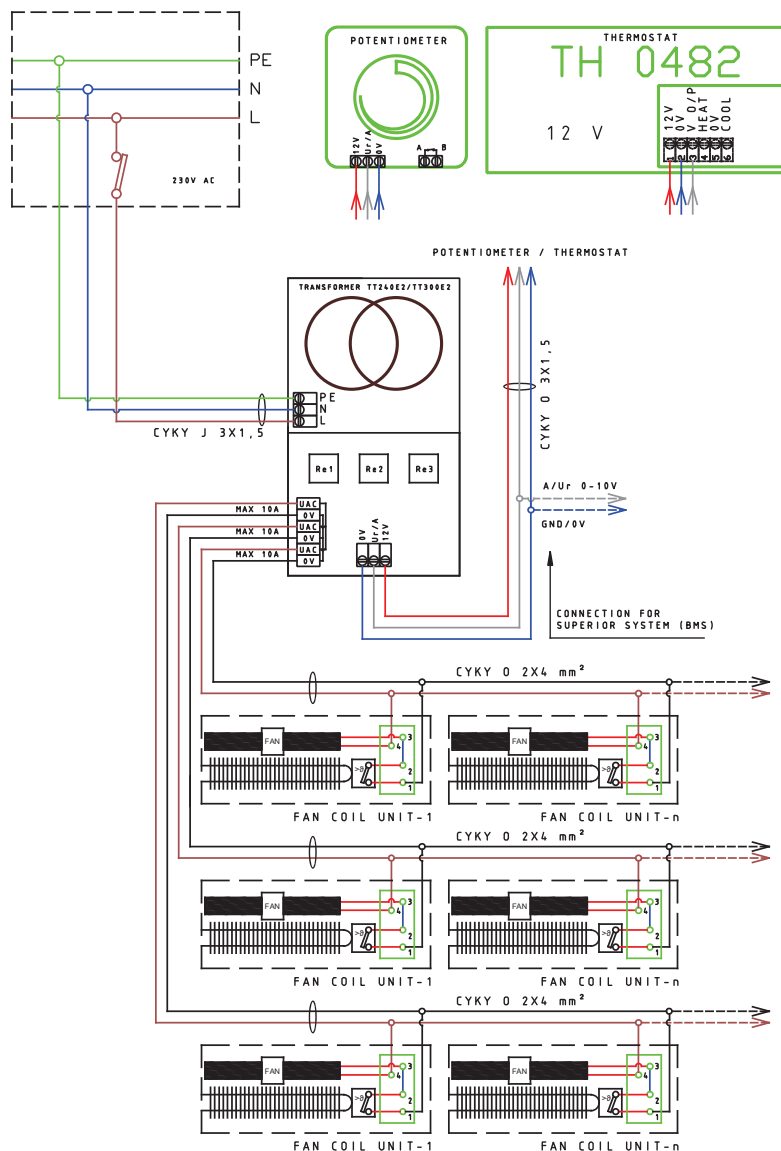
# E2

Convectors can be arranged in a series provided that the distance from the transformer is short. The star configuration connection is advantageous if the distance to the last or, more precisely, the most distant convector exceeds 20 m. Branching can be made in an EMK junction box in the wall or using WAGO terminals directly under the convector cover. In terms of electro-technical safety, the thermostat can be located also in a humid environment because it is supplied with 12 V DC power supply and motors are supplied from safe 12 V AC power source. It is recommended, however, that the thermostat be installed in locations without air humidity condensation in order to prevent corrosion.

**Transformers which can be used: TT240-E2, TT300-E2**

- Control:** 1. thermostat TH 0482  
2. potentiometer MINIB

## E2 CONTROL (wet environment, manual three-step speed control) MINIB potentiometer/thermostat TH0482, heating



Conductor cross-sections are chosen according to current loading and the supply cable length. When using the conductor cross-sections specified in this material, the maximum acceptable distance between the convector and transformer is 15 m.